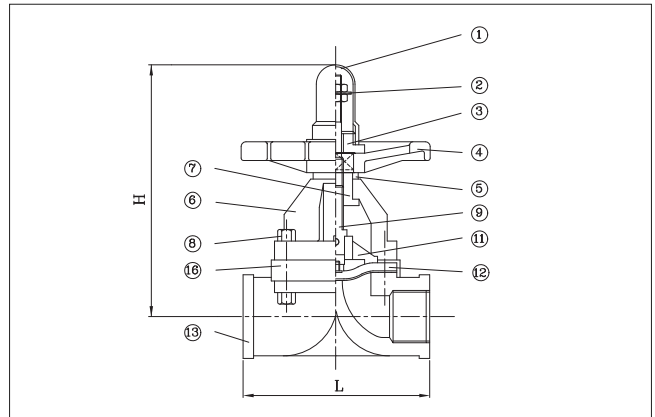


# A-SUNG PLASTIC VALVES

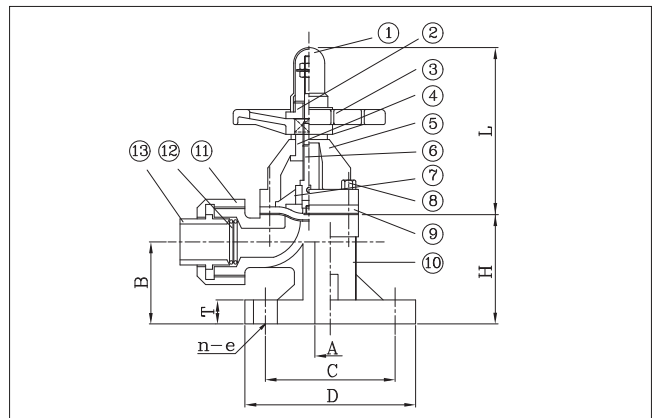
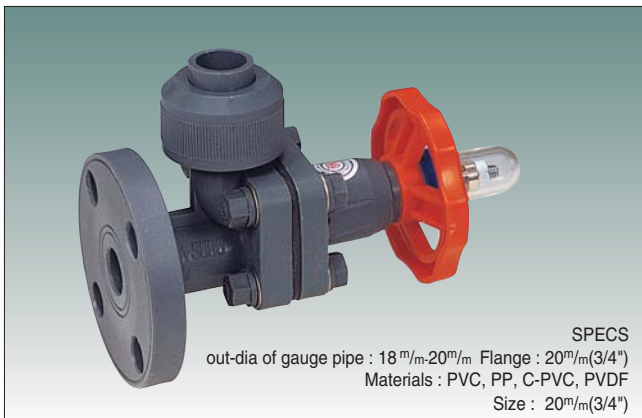
## DIAPHRAGM VALVE (SCREWED)



JIS		UNIT: mm		
parts	size	15	20	25
	H	125	130	140
	L	80	95	106
	Working Pressure(kg/cm <sup>2</sup> )	7.5	7.5	7.5
	Test Pressure(kg/cm <sup>2</sup> )	10	10	10

## GAUGE VALVE

Gauge Valve is a kind of angle valve for measuring the flow in the storage by **inserting glass pipe**.



NO	PARTS	MATERIALS	NO	PARTS	MATERIALS
1	GAUGE CAP	ACRYL	8	BOLT	SS41(PP COATED)
2	LOCK NUT	PP	9	DIAPHRAGM	EPDM, PTFE
3	HANDLE	PP	10	BODY	PVC, PP, C-PVC, PVDF
4	SLEEVE	BC	11	GLAND CAP NUT	PVC, PP, C-PVC, PVDF
5	BONNET	PVC, PP, C-PVC, PVDF	12	O-RING	EPDM, FPM
6	STEM	BC	13	GLAND	PVC, PP, C-PVC, PVDF
7	COMPRESSOR	AL			

## DIMENSIONS

JIS

UNIT: mm

Parts	A	B	C	D	T	L	H	Working Pressure (kg/cm <sup>2</sup> )	Test Pressure (kg/cm <sup>2</sup> )	n-e
Size										
20	20	50	75	100	15	112	97	7.5	10	4-15